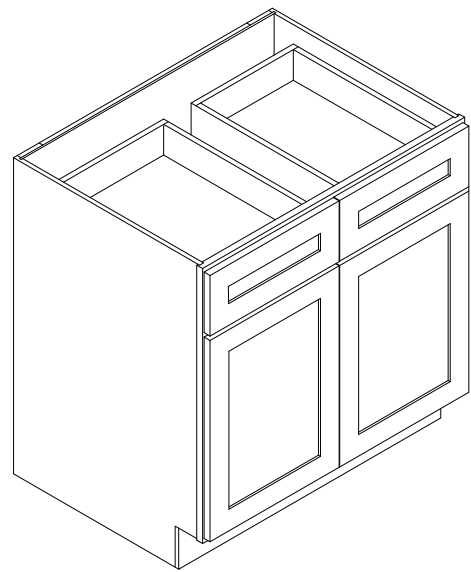




# ASSEMBLY INSTRUCTIONS

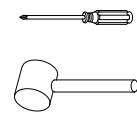
## B33-2RO



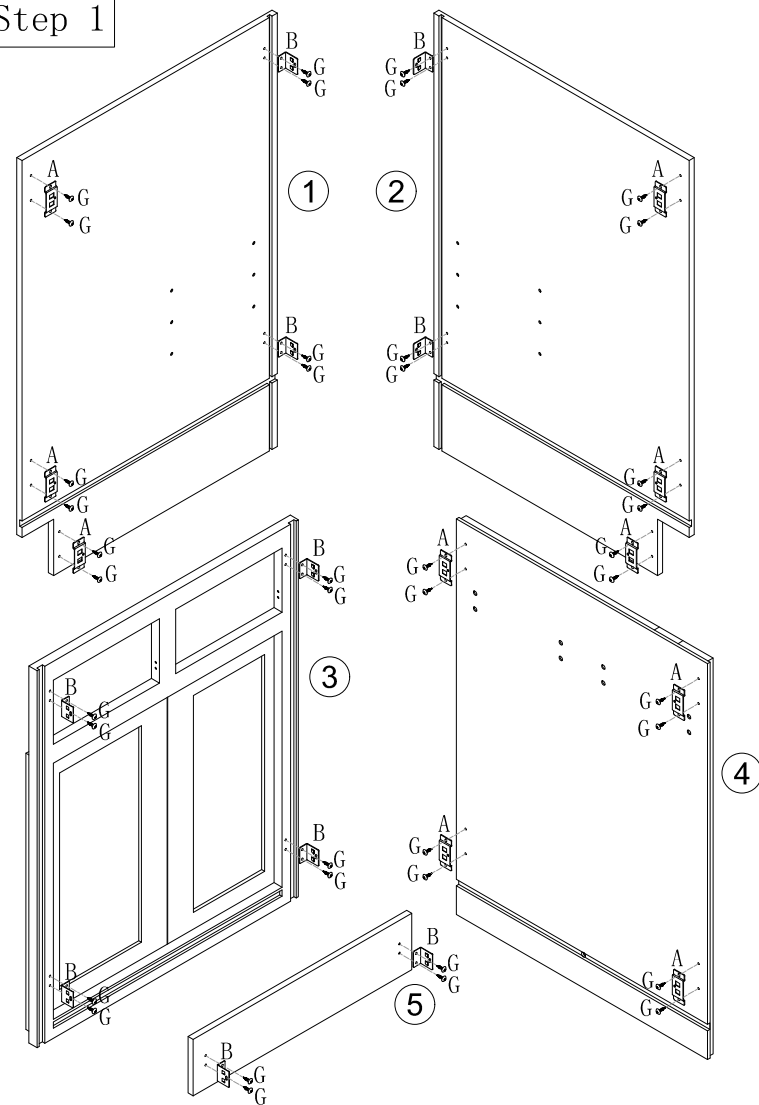
### Parts list

NO.	Parts	QTY	NO.	Parts	QTY
A		10	F		2
B		10	G		50
C		4	H		1
D		16			
E		4			

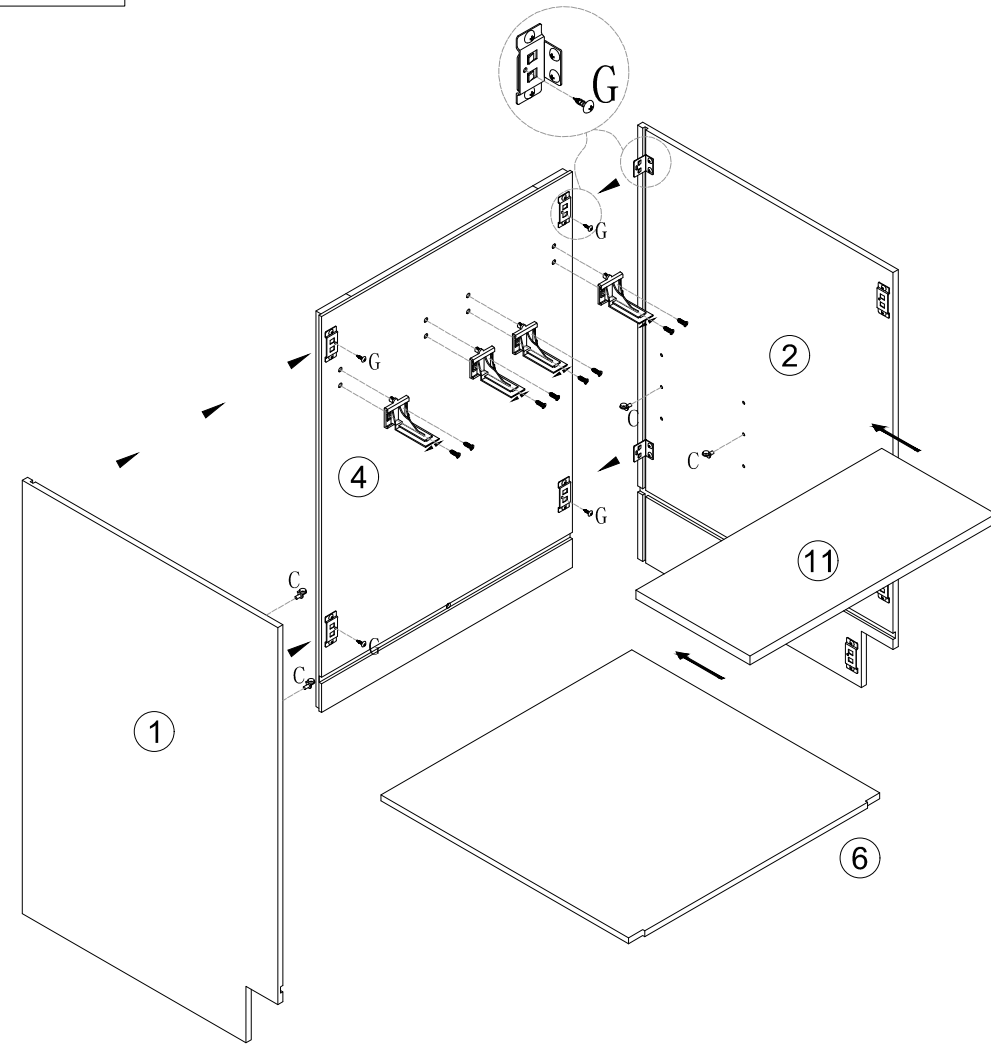
Tools  
(required but not provided)



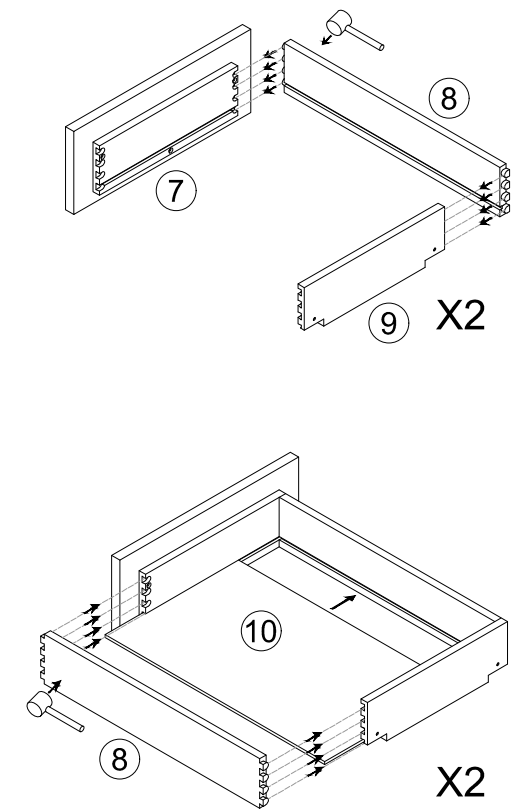
### Step 1



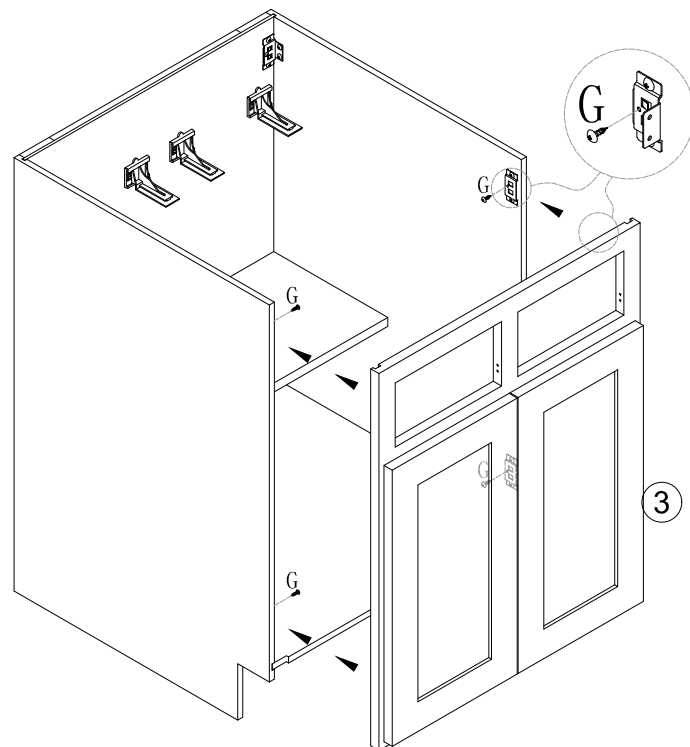
### Step 2



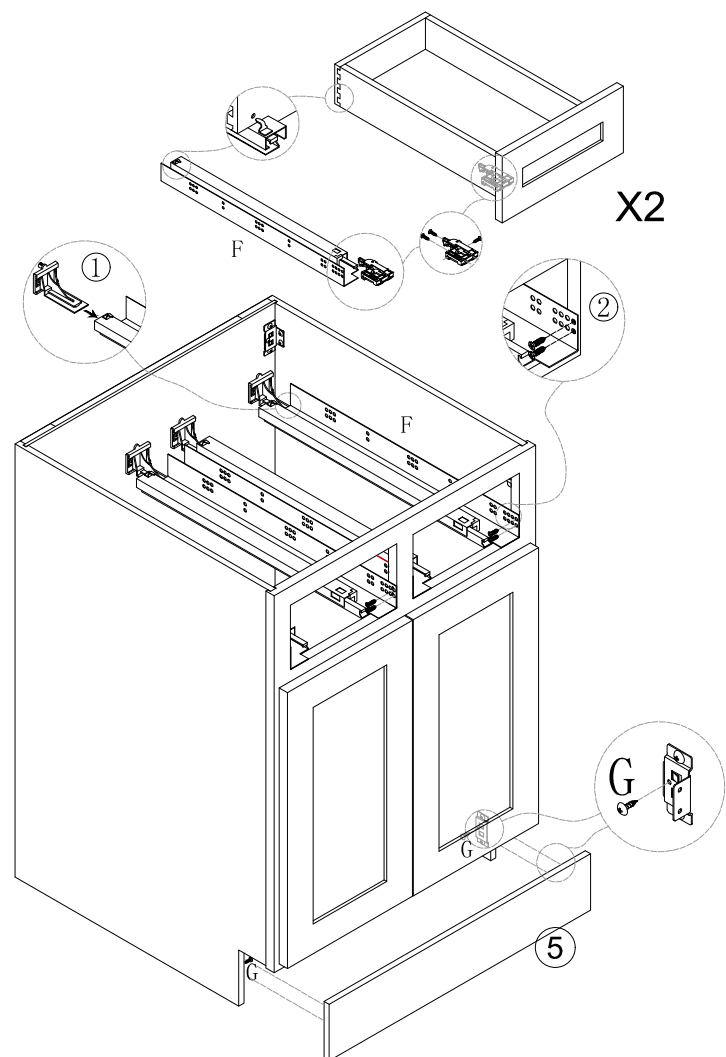
### Step 3



### Step 4



### Step 5



### Finished

